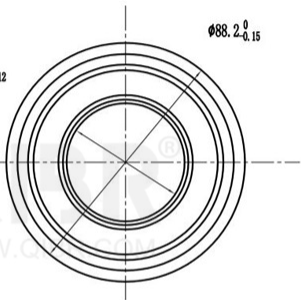


$\varnothing 35_{-0.012}^0$



$\varnothing 88.2_{-0.15}^0$

30 ± 0.1



$21_{-0.12}^0$



QIBR[®]
BEARINGS

LUOYANG QIBR BEARING CO., LTD

<http://www.QIBR.com>

Forklift Mast Roller

PART NUMBER

QMR35SP1-88