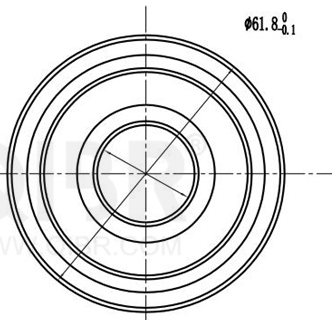
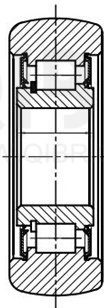


$\phi 35_{-0.012}^0$



$\phi 61.8_{-0.1}^0$

$22 \pm 0.1$



$17_{-0.12}^0$

**QIBR**<sup>®</sup>  
BEARINGS

LUOYANG QIBR BEARING CO., LTD

<http://www.QIBR.com>

Forklift Mast Roller

PART NUMBER

QMR35RR2-61