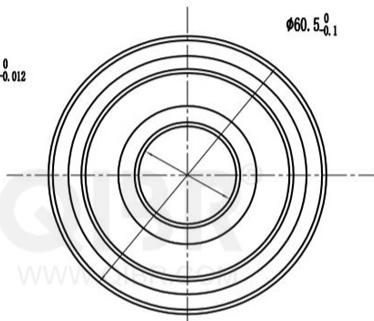
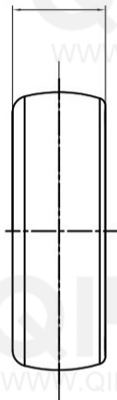


$\phi 35_{-0.012}^0$

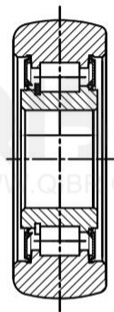


$\phi 60.5_{-0.1}^0$

22 ± 0.1



$17_{-0.12}^0$



QIBR[®]
BEARINGS

LUOYANG QIBR BEARING CO., LTD

<http://www.QIBR.com>

Forklift Mast Roller

PART NUMBER

QMR35RR2-60a