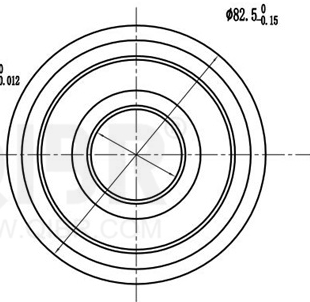


$\varnothing 31.75_{-0.012}^0$



$\varnothing 82.5_{-0.15}^0$

25.4 ± 0.1



$25.4_{-0.12}^0$

QIBR[®]
BEARINGS

LUOYANG QIBR BEARING CO., LTD

<http://www.QIBR.com>

Forklift Mast Roller

PART NUMBER

QMR31RR1-82