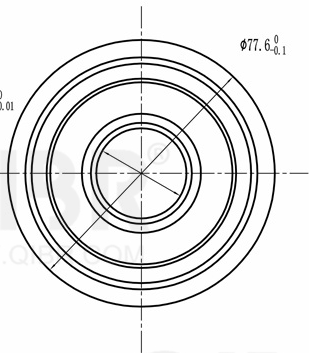
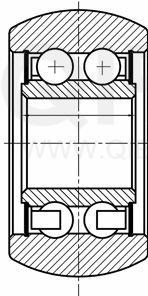
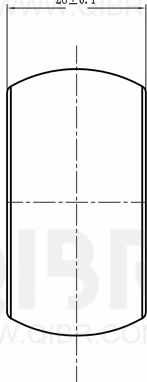


$\phi 28_{-0.01}^0$



$\phi 77.6_{0.1}^0$

$28 \pm 0.1$



$23_{0.12}^0$

**QIBR**<sup>®</sup>  
BEARINGS

LUOYANG QIBR BEARING CO., LTD  
<http://www.QIBR.com>

Forklift Mast Roller

PART NUMBER  
QMR28DB2-77