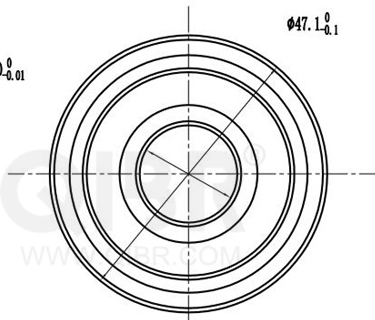
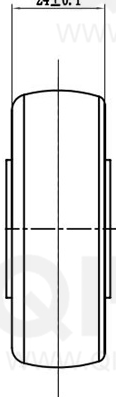


$\phi 20_{-0.01}^0$

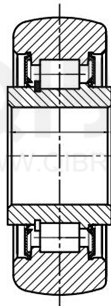


$\phi 47.1_{-0.1}^0$

24 ± 0.1



$25_{-0.12}^0$



QIBR[®]
BEARINGS

LUOYANG QIBR BEARING CO., LTD

<http://www.QIBR.com>

Forklift Mast Roller

PART NUMBER

QMR2ORR2-47a