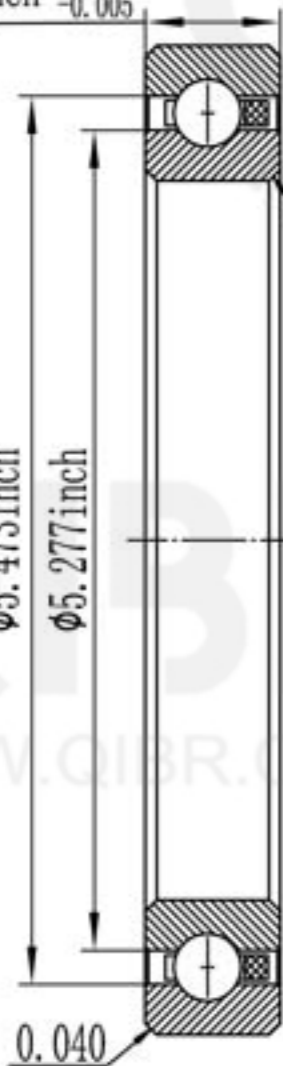


0.375inch $\begin{matrix} +0.000 \\ -0.005 \end{matrix}$

$\phi 5.473$ inch

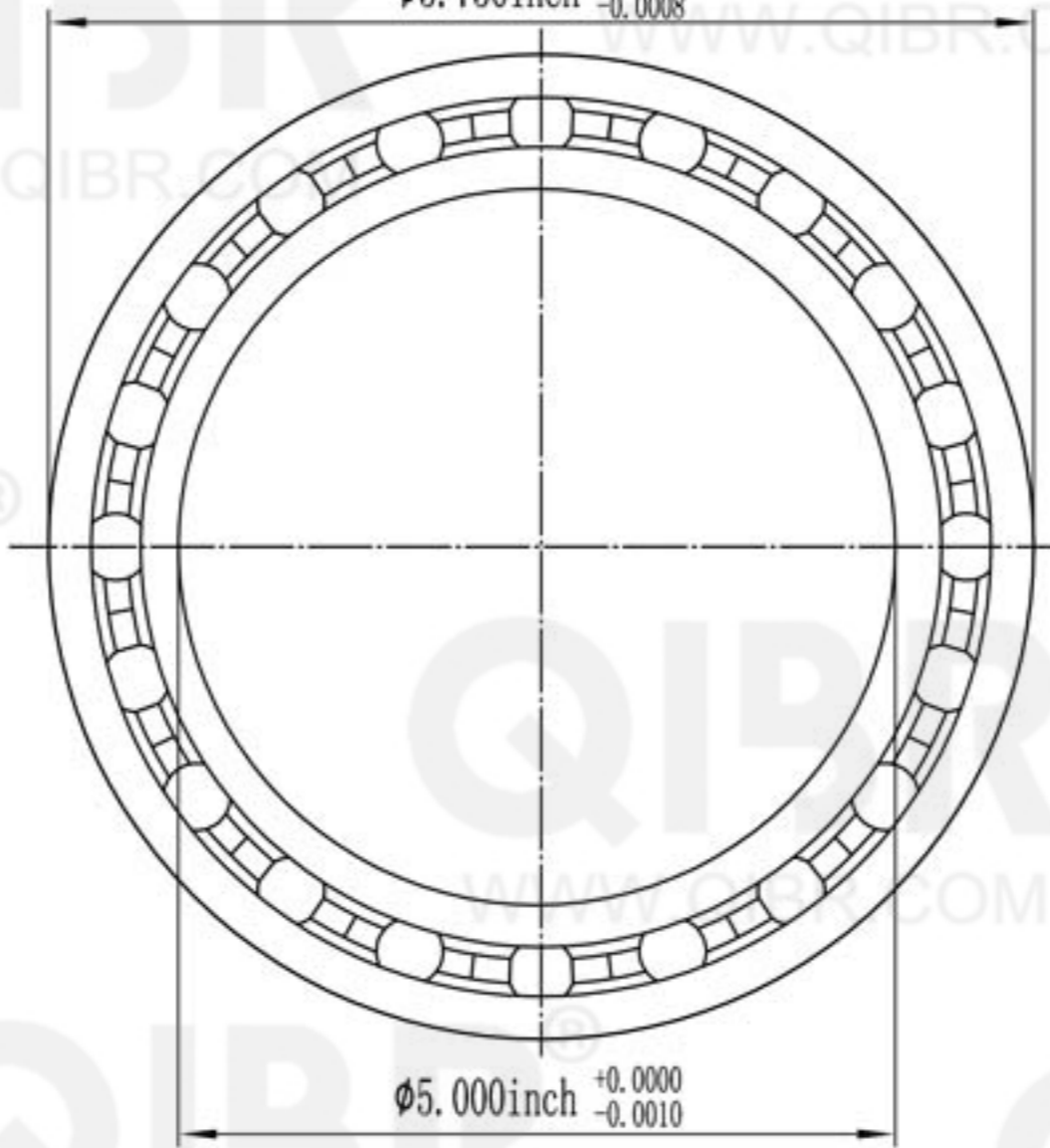
$\phi 5.277$ inch

0.040



0.040

$\phi 5.750$ inch $\begin{matrix} +0.0000 \\ -0.0008 \end{matrix}$



$\phi 5.000$ inch $\begin{matrix} +0.0000 \\ -0.0010 \end{matrix}$



QIBR[®]
BEARINGS

LUOYANG QIBR BEARING CO., LTD

<http://www.QIBR.com>

THIN SECTION
DEEP GROOVE
BALL BEARING

PART
NUMBER QSC050CP0