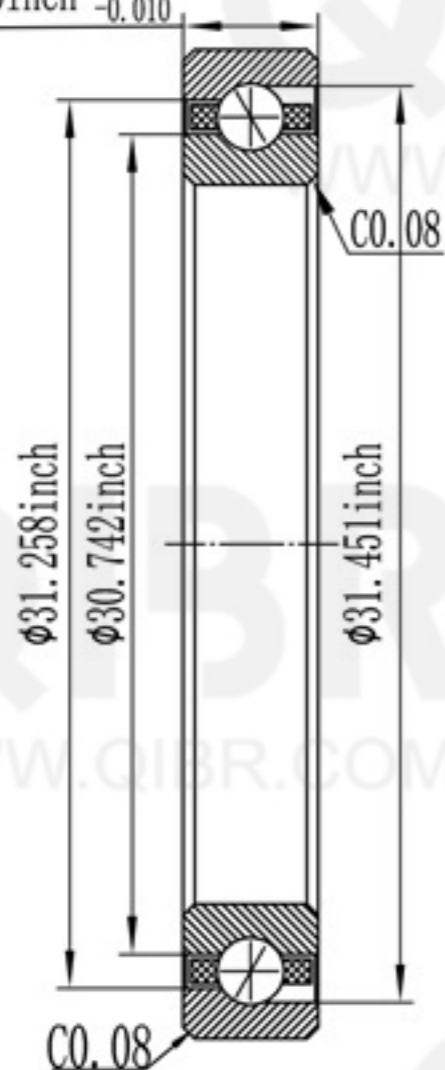
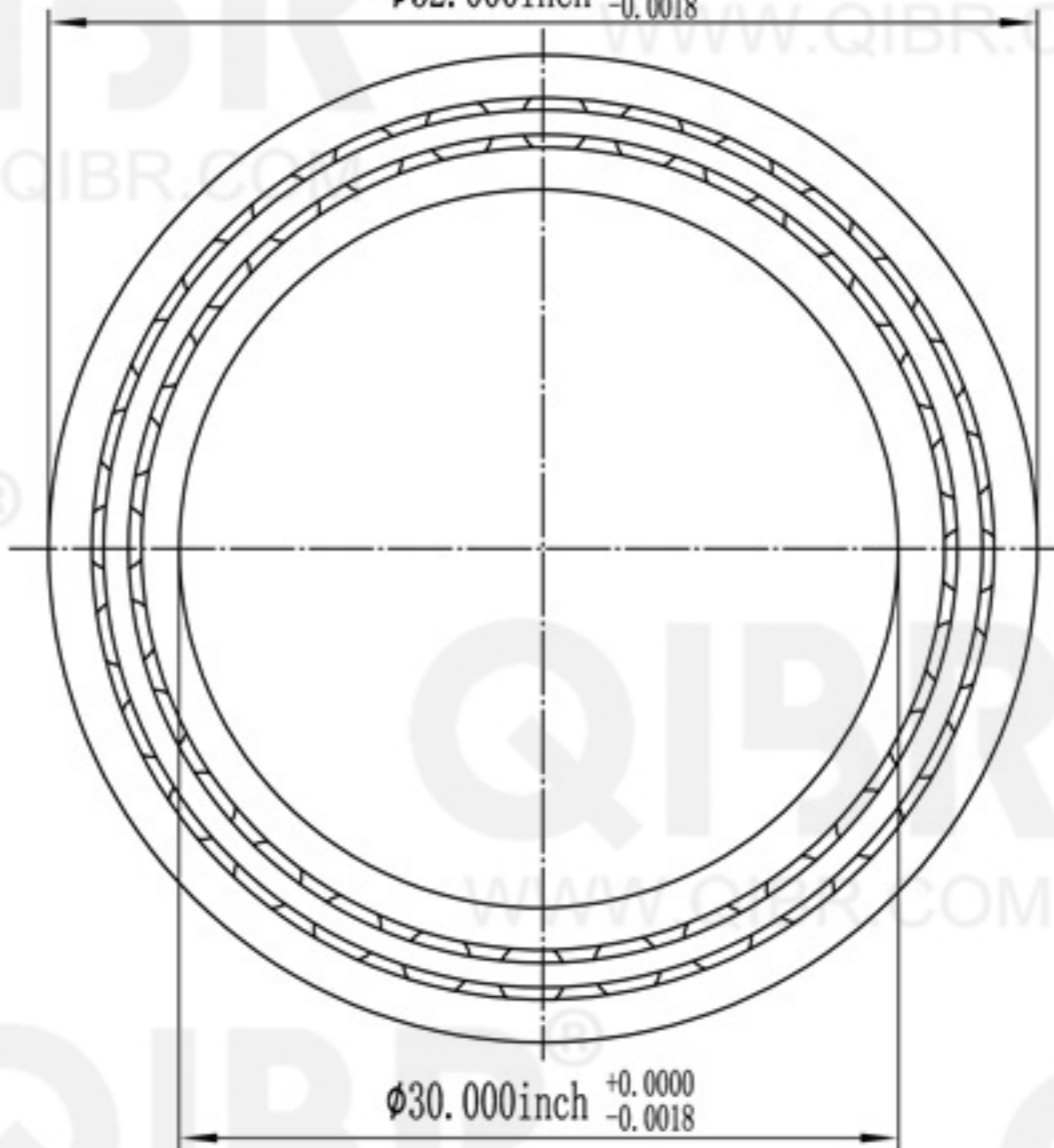


1.000inch $\begin{matrix} +0.000 \\ -0.010 \end{matrix}$



$\phi 32.000$ inch $\begin{matrix} +0.0000 \\ -0.0018 \end{matrix}$



$\phi 30.000$ inch $\begin{matrix} +0.0000 \\ -0.0018 \end{matrix}$



QIBR[®]
BEARINGS

LUOYANG QIBR BEARING CO., LTD

<http://www.QIBR.com>

THIN SECTION
ANGULAR CONTACT
BALL BEARING

PART
NUMBER QKG300ARO