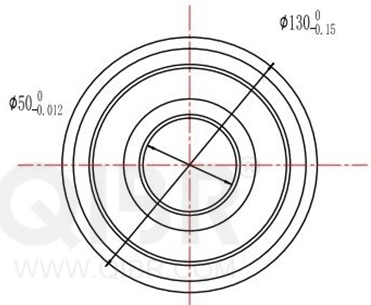


QIBR<sup>®</sup>  
WWW.QIBR.COM

40±0.12



φ130<sup>0</sup><sub>-0.15</sub>



φ50<sup>0</sup><sub>-0.012</sub>

QIBR<sup>®</sup>  
WWW.QIBR.COM

27<sup>0</sup><sub>-0.12</sub>



QIBR<sup>®</sup>  
WWW.QIBR.COM

QIBR<sup>®</sup>  
WWW.QIBR.COM

QIBR<sup>®</sup>  
BEARINGS

LUOYANG QIBR BEARING CO., LTD

<http://www.QIBR.com>

Forklift Mast Roller

PART NUMBER

QMR50R1-130